



LENJAX

WHERE ENGINEERING & EFFICIENCY MEET COMFORT

OVAL DUCT & FITTINGS



MID-ATLANTIC CHAPTER

Representing Sheet Metal and Air Conditioning Contractors
from Maryland, Virginia, Washington, D.C. and Eastern West Virginia



SHEET METAL WORKERS LOCAL 100

DC Duct & Sheet Metal LLC • **301-864-3828** • www.dcduct.com
202-575-0189

Your Local Spiral Duct & Oval Duct Connection

Office: 2520 Pennsylvania Avenue, SE · Washington, DC 20020

Shop: 3711 Wells Avenue · Mount Rainier, MD 20712

Oval Duct Material Options

Our products are fabricated from a variety of materials. Not all of our products are available in all materials. All duct and fittings are manufactured to SMACNA - HVAC construction standards, metal and flexible, third edition, 2005.

Some will exceed this standard.

Materials	Description
Galvanized Steel	G90 or G60 hot dipped, lock forming quality galvanized steel meeting ASTM A924 and ASTM A653
Galvaneal Steel (Paintable)	Lock- forming quality paintable galvanized steel meeting ASTM 924 and ASTM A653
Stainless Steel	Type 304 in 2B finish (Ask about additional Types and Finishes) Type 316 in 2B finish (Ask about additional Types and Finishes)
Aluminum	3003 H14 aluminum alloy
PVC Coated	Polyvinyl Chloride Coated Steel with 4 mil x 1mil or 4 mil x 4 mil (inside / outside) coating

DC Duct & Sheet Metal LLC • **301-864-3828** • www.dcdirect.com
202-575-0189

Your Local Spiral Duct & Oval Duct Connection

Oval Duct Material Options

Spiral Duct Diameters	MINOR															
	6	8	10	12	14	16	18	20	22	24	26	28	30	32	34	36
13	17	18	18	18	21	21	21	23	25	27	30	31	33	35	41	39
14	19	19	20	20	22	23	25	27	28	31	33	35	37	37	44	43
15	20	21	21	22	24	26	28	30	32	34	36	38	39	42	47	46
16	22	22	23	23	27	29	31	33	35	37	39	40	43	45	50	49
17	24	24	24	25	30	32	34	36	38	40	41	44	46	48	53	52
18	25	26	26	28	33	35	37	40	41	42	45	47	49	51	55	55
20	27	27	29	31	36	38	40	42	43	46	48	50	52	54	59	58
22	28	30	32	34	40	42	44	44	47	49	51	53	55	57	63	61
24	31	33	35	37	43	45	46	49	51	53	55	57	59	61	66	65
26	35	37	39	41	46	47	50	52	54	56	58	60	62	64	69	68
28	38	40	42	44	48	51	53	55	57	59	61	63	65	67	72	71
30	41	43	45	47	52	54	56	58	60	62	64	66	68	70	75	74
32	44	46	48	49	55	57	59	61	63	65	67	69	71	73	78	77
34	47	49	50	53	58	60	63	65	66	68	70	72	74	76	81	80
36	50	51	54	56	62	64	66	68	69	71	73	75	77	79	85	83
38	52	56	58	60	65	67	69	71	73	75	77	79	81	83	88	87
40	57	59	61	63	68	70	72	74	76	78	80	82	84	86	91	90
42	60	62	64	66	71	73	75	77	79	81	83	85	87	89	94	93
44	63	65	67	69	74	76	78	80	82	84	86	88	90	92	97	96
46	66	68	70	72	77	79	81	83	85	87	89	91	93	95		99
48	69	71	73	75	81	83	85	87	88	90	92	94	96	98		
50	73	75	77	79	84	86	88	90	91	93	95	97	99			
52	76	78	80	82	87	89	91	93	95	97	99					
54	79	81	83	85	90											
56	82	84	86	88												
58	85	87														

OVAL SIZES (INCHES) THAT CAN BE CREATED

DC Duct & Sheet Metal LLC • **301-864-3828** • www.deduct.com
202-575-0189

Your Local Spiral Duct & Oval Duct Connection

Double Wall Oval Duct Insulated

DOUBLEWALL (DW) & LINED CONSTRUCTION	OUTER SHELL MATERIALS (DW) AND LINED	INNER LINER MATERIALS (DW ONLY)	SEAMS	WALL THICKNESS	INSULATION / LINER
SPIRAL PIPE¹ LONGITUDINAL SEAM PIPE AND FITTINGS	Galvanized (G60 & G90)	1. Perforated Galvanized Steel with 3/32" holes on 3/16" centers.	Outer Shell Seams equal to Singlewall.	1", 2" & 3" (DW)	1", 2" & 3" X 0.75 PCF UNFACED JOHNS MANVILLE Spiral SG-Duct Liner PM (LINED) CERTAINTEED ToughGard® Duct Liner
	Galvanized (Paintable)				
	Stainless Steel (304 & 316)	2. Solid Liner available in materials equal to OUTER SHELL	Inner liner Seams - Spiral for Pipe, Gorelocked for fittings.	1" & 1.5" (LINED)	
	Aluminum (3003-H14)				
	PVC Coated				

Half thicknesses available in Manville PM which require odd size duct.


Oval duct is fabricated from spiral duct and the major and minor dimensions of the oval are limited to current spiral ovalizer machines on the market today.

(See next page)







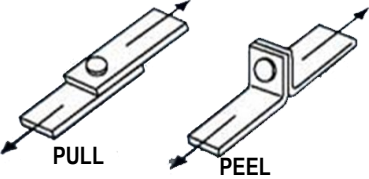
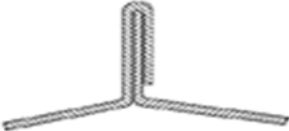
DC Duct & Sheet Metal LLC • **301-864-3828** • www.dcdct.com
202-575-0189

Your Local Spiral Duct & Oval Duct Connection

FLAT OVAL DUCT & FITTINGS

 WEIGHT TABLE - GALVANIZED STEEL lbs/ft									
TRIPLE RIB DUCT				TUBE DIA. INCH	HELIX SMOOTH DUCT				
STRIP WIDTH					STRIP WIDTH				
6.024"	5.827"				5.394"			5.5"	
153 mm	148mm			137 mm			140mm		
STRIP THICKNESS				STRIP THICKNESS					
30Ga	28Ga	25Ga	24Ga		26Ga	24Ga	22Ga	20Ga	18Ga
0.015"	0.017"	0.019"	0.025"		0.019"	0.025"	0.031"	0.038"	0.050"
1.66	1.81	2.03	2.67	8	1.88	2.47	3.06	3.75	5.06
1.86	2.04	2.28	3.00	9	2.11	2.78	3.45	4.23	5.69
2.07	2.27	2.54	3.34	10	2.35	3.09	3.83	4.70	6.32
2.48	2.72	3.05	4.00	12	2.82	3.71	4.60	5.64	7.58
2.89	3.17	3.55	4.67	14	3.28	4.32	5.36	6.57	8.85
3.31	3.62	4.06	5.34	16	3.75	4.94	6.12	7.51	10.11
3.72	4.08	4.56	6.00	18	4.22	5.56	6.89	8.45	11.38
4.14	4.54	5.07	6.68	20	4.70	6.18	7.66	9.40	12.64
4.56	5.00	5.58	7.35	22	6.17	6.80	8.43	10.34	13.90
4.96	5.44	6.08	8.00	24	6.63	7.41	9.19	11.26	15.17
5.38	5.90	6.59	8.67	26	6.10	8.03	9.96	12.21	16.43
5.78	6.34	7.09	9.33	28	6.57	8.64	10.71	13.13	17.70
6.20	6.80	7.60	10.00	30	7.04	9.26	11.48	14.08	18.96
6.62	7.26	8.11	10.67	32	7.51	9.38	12.25	15.02	20.22
7.45	8.17	9.13	12.01	36	8.45	11.12	13.79	16.90	22.75
8.27	9.07	10.14	13.34	40	9.39	12.35	15.31	18.77	26.28
9.10	9.98	11.15	14.67	44	10.32	13.58	16.84	20.64	27.80
9.93	10.89	12.17	16.01	48	11.26	14.82	18.38	22.53	30.34
10.76	11.80	13.18	17.35	52	12.21	16.06	19.91	24.41	32.86
11.58	12.70	14.20	18.68	56	13.14	17.29	21.44	26.28	35.39
12.40	13.60	15.20	20.00	60	14.08	18.52	22.96	28.15	37.92
13.24	14.52	16.22	21.35	64	15.02	19.76	24.50	30.04	40.45
14.07	15.42	17.24	22.68	68	15.96	21.00	26.04	31.92	42.98
14.89	16.33	18.25	24.00	72	16.89	22.23	27.56	33.79	45.50
15.72	17.23	19.26	25.34	76	17.83	23.46	29.10	35.66	48.03
16.55	18.14	20.28	26.68	80	18.77	24.70	30.63	37.54	50.56

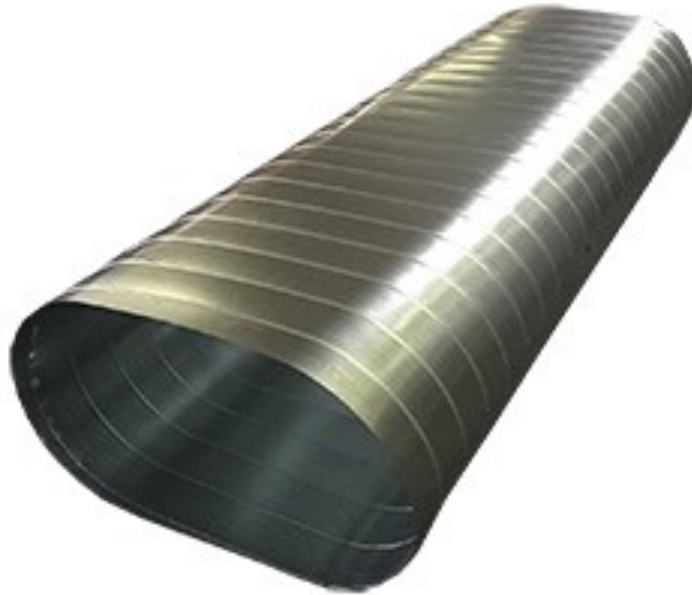
Oval Seams

<p>SPIRAL</p>  <p><u>SPIRAL LOCK SEAM</u> SMACNA RL-1</p>	<p>SPS</p>  <p><u>OFFSET LAPPED, SPOT WELDED & SEALED</u> <u>LAPPED, SPOT WELDED & SEALED</u> SMACNA RL-2 SMACNA RL-3</p>	
<p>SWB</p>  <p><u>SOLID BUTT WELD</u> SMACNA RL-4 20 GA, MIN</p>	<p>SWL</p>  <p><u>SOLID WELDED LAPPED</u> SMACNA RL-4 20 GA, MIN</p>	<p>ST</p>  <p><u>STITCH WELD</u></p>
<p>SC</p>  <p><u>SCREWED & SEALED</u></p>	 <p><u>CLINCHED SEAM (NORLOCKED)</u></p>	 <p><u>STANDING SEAM</u></p>

DC Duct & Sheet Metal LLC • **301-864-3828** • www.deduct.com
202-575-0189

Your Local Spiral Duct & Oval Duct Connection

OVAL DUCT



SPR  STANDARD (SMOOTH)

SPR2  2-CORR

WE CORRUGATE ALL DUCT LARGER THAN 13 inches ...

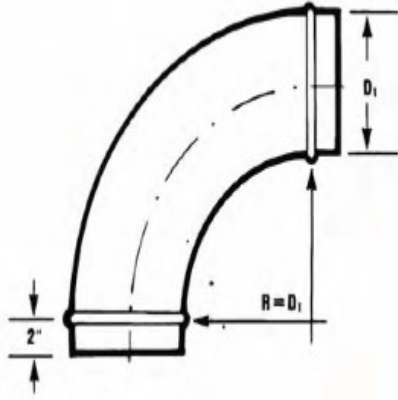
We will continue to do so unless we are instructed otherwise! We had the occasion when the corrugation was not wanted. This was when the spiral duct was going in a open ceiling and changed from corrugated to non-corrugated per our customer who made the request. There may be other reasons we are not aware of since we are not installers of any HVAC products.

DC Duct & Sheet Metal LLC • **301-864-3828** • www.dcd duct.com
202-575-0189

Your Local Spiral Duct & Oval Duct Connection

Fittings

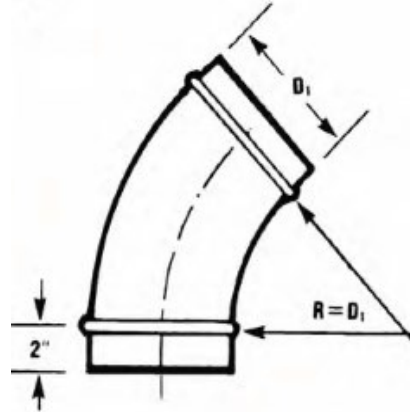
SIZES 3"Ø THRU 12"



DC - 90
 90° DIE STAMPED ELBOW
 R = 1.5 X D

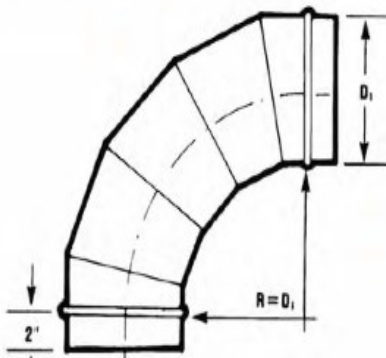
SPIRAL  FITTINGS, INC

SIZES 3" Ø THRU 12"

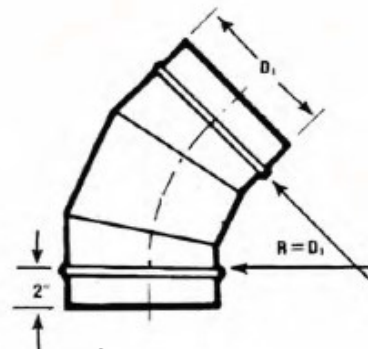


DC - 45
 45° DIE STAMPED ELBOW
 R = 1.5 X D

SPIRAL  FITTINGS, INC



DC - 90
 90° GORE LOCKED ELBOW
 R = 1.5 X D

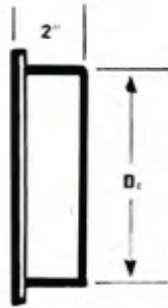


DC - 45
 45° GORE LOCKED ELBOW
 R = 1.5 X D

DC Duct & Sheet Metal LLC • **301-864-3828** • www.dcd duct.com
202-575-0189

Your Local Spiral Duct & Oval Duct Connection

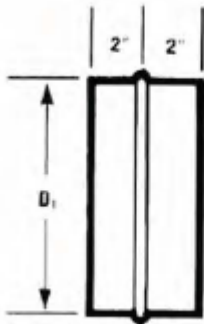
Fittings



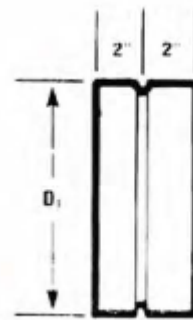
DC- P
 END CAP
 FOR PIPE

OR

DC- F
 END CAP
 FOR FITTING



DC- P
 COUPLING FOR PIPE



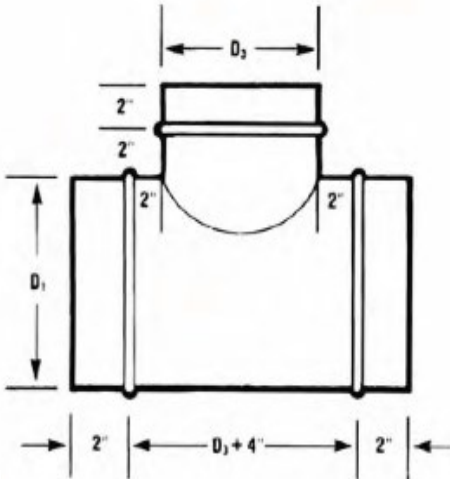
DC- F
 COUPLING FOR FITTINGS

DC Duct & Sheet Metal LLC • **301-864-3828** • www.dcd duct.com
202-575-0189

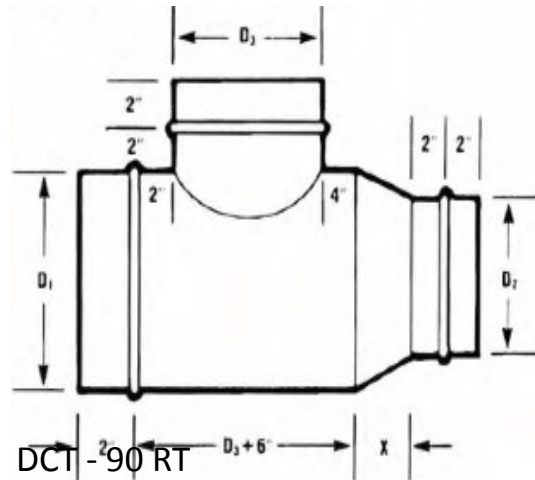
Your Local Spiral Duct & Oval Duct Connection

Fittings

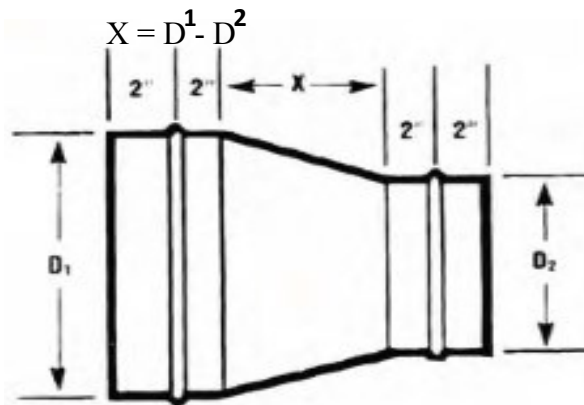
X = 4" MINIMUM



DCT - 90
90° TEE



DCT - 90 RT
90° REDUCER TEE

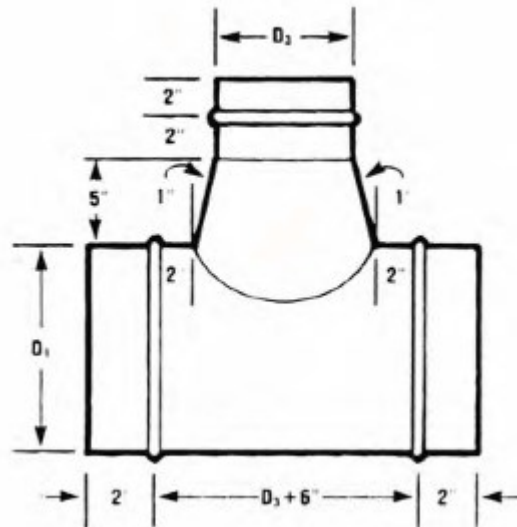


CONCENTRIC REDUCER

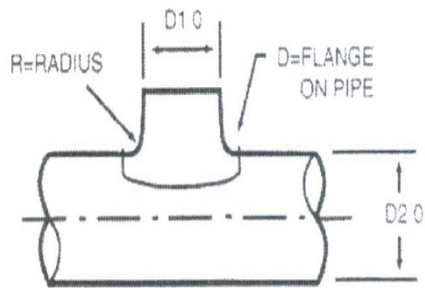
DC Duct & Sheet Metal LLC • **301-864-3828** • www.dcdct.com
202-575-0189

Your Local Spiral Duct & Oval Duct Connection

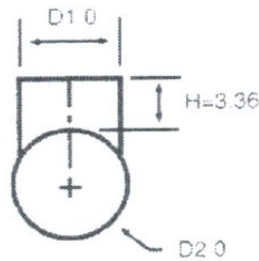
Fittings



DCCT - 90
 90° CONICAL TEE



DC - TAP
 45° OR 90° TAP



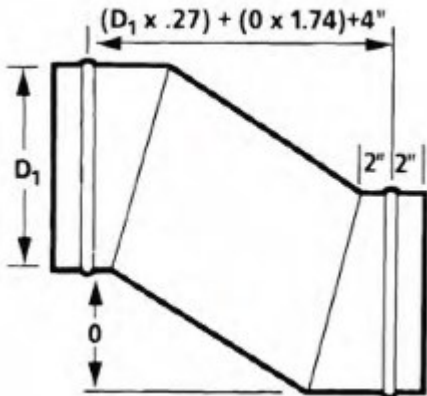
DCCT - TAP
 90° SADDLE TAP

SHOP OR FIELD INSTALLED

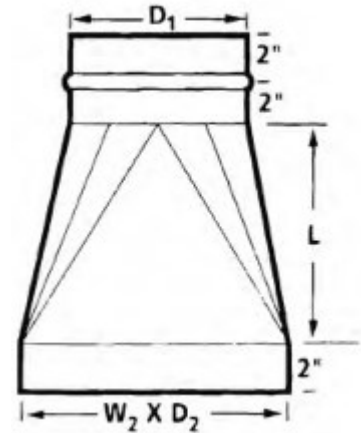
DC Duct & Sheet Metal LLC • **301-864-3828** • www.dcd duct.com
202-575-0189

Your Local Spiral Duct & Oval Duct Connection

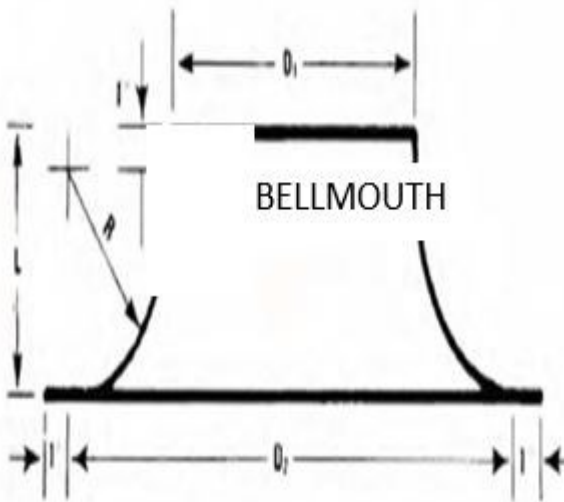
Fittings



OFF
 OFFSET



SQ 2RD
 SQUARE/OVAL TO ROUND



DC - BELLMO
 BELLMOUTH



DC - BELLMOUTH
 EXTENDED BELLMOUTH
 With or Without Damper Available

DC Duct & Sheet Metal LLC • **301-864-3828** • www.dcduct.com
202-575-0189

Your Local Spiral Duct & Oval Duct Connection